

# SIEMENS

SN65ZX12CE

# Dishwasher



**EN** Instructions for use

Siemens Home Appliances

Register your appliance on My Siemens and discover exclusive services and offers.





Further information and explanations can be found online:



## Table of contents

|  |    |
|--|----|
| 1 Security .....                                   | 4  |
| 1.1 General information .....                      | 4  |
| 1.2 Intended use .....                             | 4  |
| 1.3 Restriction of the user group .....            | 4  |
| 1.4 Safe installation .....                        | 4  |
| 1.5 Safe use .....                                 | 6  |
| 1.6 Damaged device.....                            | 8  |
| 1.7 Dangers for children.....                      | 9  |
| 2 Avoid material damage .....                      | 11 |
| 2.1 Safe installation .....                        | 11 |
| 2.2 Safe use .....                                 | 11 |
| 3 Environmental protection and saving .....        | 12 |
| 3.1 Dispose of packaging.....                      | 12 |
| 3.2 Saving energy .....                            | 12 |
| 3.3 Zeolite drying. . . . .                        | 12 |
| 3.4 Sensors .....                                  | 13 |
| 4 Setting up and connecting .....                  | 13 |
| 4.1 Scope of delivery.....                         | 13 |
| 4.2 Setting up and connecting the device .....     | 14 |
| 4.3 Waste water connection.....                    | 14 |
| 4.4 Drinking water connection .....                | 14 |
| 4.5 Electrical connection .....                    | 14 |
| 5 Getting to know each other .....                 | 16 |
| 5.1 Device.....                                    | 16 |
| 5.2 Controls .....                                 | 18 |
| 6 programs .....                                   | 21 |
| 6.1 Information for test institutes.....           | 22 |
| 6.2 Favorites ☆ .....                              | 22 |
| 6.3 Intelligent 🧠 .....                            | 23 |
| 7 additional functions .....                       | 24 |
| 8 Equipment .....                                  | 24 |
| 8.1 Upper dish rack .....                          | 25 |
| 8.2 Cake stand .....                               | 25 |
| 8.3 Lower dish rack .....                          | 26 |
| 8.4 Folding spines.....                            | 26 |
| 8.5 Cutlery drawer.....                            | 27 |
| 8.6 glassZone.....                                 | 27 |
| 9 Before first use .....                           | 28 |
| 9.1 Initial commissioning.....                     | 28 |
| 10 Softening system.....                           | 28 |
| 10.1 Overview of the water hardness settings ..... | 28 |
| 10.2 Setting the softening system.....             | 29 |
| 10.3 Special salt.....                             | 29 |
| 10.4 Switching off the softening system .....      | 30 |
| 10.5 Regenerating the softening system .....       | 30 |
| 11 Rinse aid system .....                          | 31 |
| 11.1 Rinse aid .....                               | 31 |
| 11.2 Setting the amount of rinse aid added .....   | 31 |
| 11.3 Switching off the rinse aid system.....       | 32 |
| 12 Cleaners .....                                  | 32 |
| 12.1 Suitable cleaners .....                       | 32 |
| 12.2 Unsuitable cleaners.....                      | 33 |
| 12.3 Notes on cleaners.....                        | 33 |
| 12.4 Filling with cleaner.....                     | 34 |

|  |    |  |    |
|--|----|--|----|
| 13 Tableware .....   | 35 | 20 Customer service .....  | 57 |
| 13.1 Damage to glass and dishes.....   | 35 | 20.1 Product number (E-No.), production number (FD) and counting number (Z-No.)..... | 57 |
| 13.2 Putting away the dishes.....  | 36 | 20.2 AQUA-STOP guarantee.....  | 57 |
| 13.3 Clearing out the dishes.....  | 37 | 21 Technical data .....  | 58 |
| 14 Basic Operation.....  | 37 | 21.1 Information about free and open source software .....                           | 58 |
| 14.1 Switching on the device .....   | 37 | 22 Declaration of Conformity .....   | 59 |
| 14.2 Setting the program .....   | 37 |  |    |
| 14.3 Setting additional functions .....  | 37 |  |    |
| 14.4 Setting the time delay .....  | 38 |  |    |
| 14.5 Start the program.....  | 38 |  |    |
| 14.6 Interrupting the program .....  | 38 |  |    |
| 14.7 Cancel program .....  | 38 |  |    |
| 14.8 Switching off the device .....  | 38 |  |    |
| 15 basic settings .....  | 39 |  |    |
| 15.1 Overview of the basic settings .....  | 39 |  |    |
| 15.2 Changing basic settings... ..   | 42 |  |    |
| 16 Home Connect .....  | 42 |  |    |
| 16.1 Home Connect quick start ..   | 43 |  |    |
| 16.2 Remote start  .....                | 43 |  |    |
| 16.3 Data protection.....  | 44 |  |    |
| 17 Cleaning and care .....   | 44 |  |    |
| 17.1 Cleaning the rinsing container .....  | 44 |  |    |
| 17.2 Cleaning agents .....   | 44 |  |    |
| 17.3 Tips for device care.....   | 44 |  |    |
| 17.4 Machine care. . . . .  . . . . . | 45 |  |    |
| 17.5 Sieve system .....  | 46 |  |    |
| 17.6 Cleaning the spray arms.....  | 47 |  |    |
| 18 Troubleshooting .....   | 49 |  |    |
| 18.1 Cleaning the waste water pump .....   | 55 |  |    |
| 19 Transport, storage and Dispose of .....   | 55 |  |    |
| 19.1 Dismantling the device .....  | 55 |  |    |
| 19.2 Making the device frost-proof.....  | 56 |  |    |
| 19.3 Transporting the device .....   | 56 |  |    |
| 19.4 Dispose of old device.....  | 56 |  |    |



# 1 Security

---

Please note the following safety instructions.

## 1.1 General information

- ¡Read these instructions carefully.
- ¡Save the instructions and product information later use or subsequent ownership.
- ¡Do not connect the device if it is damaged during transport.

## 1.2 Intended use


- Use the device only: ¡to wash household dishes.
- ¡in private households and in closed rooms of the home chen environment.
- ¡up to an altitude of 2500 m above sea level.

## 1.3 Restriction of the user group

This device can be used by children aged 8 years and over and by people with reduced physical, sensory or mental capabilities or lack of experience and/or knowledge, if they are supervised or instructed in the safe use of the device and understand the resulting dangers have.

Children are not allowed to play with the device.  
Cleaning and user maintenance must not be carried out by children without supervision.  
Keep children younger than 8 years away from the device and the connecting cable.

## 1.4 Safe Installation

 **WARNING - Risk of injury!**

Improper installations can result in injury.

- ▶ When setting up and connecting the device, follow the instructions in the operating instructions and assembly instructions.

**⚠ WARNING - Risk of electric shock!**

Improper installations are dangerous.

- ▶ Only connect and operate the device in accordance with the information on the nameplate.
- ▶ Always use the power cable supplied with the new device.
  
- ▶ Only connect the device to an alternating current power supply via a properly installed earthed socket.
- ▶ The protective conductor system of the electrical house installation must be installed correctly.
- ▶ Never power the device via an external switching device, e.g. B. timer or remote control.
- ▶ When the device is installed, the mains plug of the mains connection cable must be freely accessible, or if free access is not possible, a disconnecting device must be installed in the fixed electrical installation in accordance with the installation regulations.
- ▶ When setting up the device, ensure that the power cable is not pinched or damaged.

Cutting the inlet hose or submerging the Aquastop valve in water is dangerous.

- ▶ Never immerse the plastic housing in water. The plastic housing on the inlet hose contains an electric valve.
- ▶ Never cut the inlet hose. There are electrical connection cables in the inlet hose.


**⚠ WARNING - Danger of fire!**

Using an extended power cord and unauthorized adapters is dangerous.

- ▶ Do not use extension cables or multiple socket strips.
  
- ▶ Only use adapters and power cables approved by the manufacturer.
- ▶ If the mains connection cable is too short and a longer mains connection cable is not available, contact a specialist electrician to adapt the house installation.

Contact between the device and installation cables can lead to a defect in the installation cables, e.g. E.g., gas pipes and power lines. Gas from a corroded gas line can ignite. A damaged power line can lead to a short circuit.

- ▶ Make sure that there is at least 5 cm distance between the device and installation cables.

 WARNING - Risk of injury!

Hinges move when the appliance door is opened and closed and can cause injury.


- ▶ If under-counter devices or devices that can be integrated are not located in a niche and a side wall is therefore accessible, the hinge area must be covered on the side. The covers are available from specialist retailers or from our customer service.

 WARNING - Danger of tipping!

Improper installation may cause the device to tip over.

- ▶ Only install under-counter devices or integrable devices under a continuous worktop that is firmly connected to the neighboring cabinets.

## 1.5 Safe use

 WARNING - Danger of serious damage to health! Failure to follow safety instructions and instructions for use on the packaging of cleaning products and rinse aid products can lead to serious damage to health.

- ▶ Follow the safety instructions and instructions for use on the packaging of cleaning products and rinse aid products.

 WARNING - Danger of explosion!

Solvents in the device's flushing chamber can cause explosions.

- ▶ Never put solvents in the cleaning compartment of the device.

Strongly caustic-alkaline or highly acidic cleaning agents in conjunction with aluminum parts in the washing compartment of the device can lead to explosions.

- ▶ Never use highly caustic-alkaline or highly acidic cleaning agents, especially from the commercial or industrial sector, in conjunction with aluminum parts (e.g. grease filters from extractor hoods or aluminum pots), e.g. B. for machine care.

**⚠ WARNING - Risk of injury!** An open device door can lead to injuries.

- ▶ Only open the appliance door when loading and unloading dishes to prevent accidents, e.g. B. by stumbling.
- ▶ Do not sit or stand on the open appliance door. Knives and utensils with sharp points can cause injuries.

- ▶ Place knives and utensils with sharp tips with the pointed side facing down in the cutlery basket, knife rack or cutlery drawer.

**⚠ WARNING - Danger of scalding!**

Hot water can spray out of the appliance when the appliance door is opened while the program is running.

- ▶ Open the device door carefully while the program is running.

**⚠ WARNING - Risk of electric shock!**

Penetrating moisture can cause an electric shock.

- ▶ Only use the device in closed rooms.
- ▶ Never expose the device to extreme heat or moisture.
- ▶ Do not use a steam cleaner or high-pressure cleaner to clean the device.

Damaged insulation of the mains connection cable is dangerous.

- ▶ Never bring the power cord into contact with hot parts of the device or heat sources.
- ▶ Never bring the power cord into contact with sharp points or edges.

- ▶ Never bend, squeeze or change the power cable.

**⚠ WARNING - Danger of burns!**

The blow-out opening of the zeolite container becomes hot and can cause burns.

- ▶ Never touch the blow-out opening of the zeolite container.

## 1.6 Damaged device

**⚠ WARNING - Risk of electric shock!**

A damaged device or a damaged power cable is dangerous.

- ▶ Never operate a damaged device.
- ▶ Never operate a device with a cracked or broken surface.
- ▶ Never pull on the power cord to disconnect the device from the power supply. Always pull on the mains plug of the mains connection cable.
- ▶ If the device or the mains connection cable is damaged, immediately pull out the mains plug of the mains connection cable or switch off the fuse in the fuse box and close the tap.
- ▶ Call customer service. → *Page 57* Improper repairs are dangerous.
- ▶ Only trained specialist personnel may carry out repairs on the device.
- ▶ Only original spare parts may be used to repair the device.
- ▶ If the mains connection cable or the device connection cable of this device is damaged, it must be replaced with a special power connection cable or special device connection cable, which is available from the manufacturer or its customer service.

## 1.7 Dangers for children

### WARNING - Danger of suffocation!

Children can pull packaging material over their heads or wrap themselves in it and suffocate.

- ▶ Keep packaging material away from children.
- ▶ Do not let children play with packaging materials. Children can inhale or swallow small parts and thereby suffocate.

- ▶ Keep small parts away from children.
- ▶ Do not let children play with small parts.  
Children can become trapped in the device and suffocate.

- ▶ If available, use parental controls.
- ▶ Never let children play with or operate the device.

### WARNING - Danger of damage to health!

Children can become trapped in the device and endanger their lives.

- ▶ For old devices, pull the power plug of the power connection cable, then cut the power connection cable and destroy the lock on the device door to such an extent that the device door no longer closes.

### WARNING - Danger of crushing!

With high-mounted appliances, children can squeeze between the appliance door and the cupboard doors underneath.

- ▶ Pay attention to children when opening and closing the appliance door.

### WARNING - Danger of chemical burns!

Rinse aid and cleaners can cause burns to the mouth, throat and eyes.

- ▶ Keep children away from rinse aid products and cleaning products.
- ▶ Keep children away from the open device. The water in the dishwashing room is not drinking water. There may still be residues of cleaner and rinse aid in it.

 **WARNING - Risk of injury!**

Children can get their little fingers caught in the slots in the tab tray and injure themselves.

► Keep children away from the open device.

## 2 Property damage avoid

### 2.1 Safe Installation

#### DANGER!

Improper installation of the device can result in damage.

- ▶ If the dishwasher is installed under or above other household appliances, information on installation in combination with the dishwasher in the
 

Follow the installation instructions for the respective household appliances.
- ▶ If no information is available or the installation instructions do not contain any relevant instructions, you must contact the manufacturer of these household appliances to ensure that the dishwasher can be installed above or below other household appliances.
- ▶ If information is not available from the manufacturer, the dishwasher must not be installed above or below these household appliances.
- ▶ To ensure the safe operation of all household appliances, continue to follow the dishwasher installation instructions.
- ▶ Do not install the dishwasher under a hob.
- ▶ Do not install the dishwasher near heat sources such as radiators, heat accumulators, ovens or other devices that generate heat.

Contact between the device and water pipes may cause corrosion of the water pipe and the water pipe may leak.

- ▶ Make sure there is at least 5 cm distance between the device and the water pipe. The supplied lines for the drinking water connection and the waste water connection are not affected.

Modified or damaged water hoses can lead to property damage and equipment damage.

- ▶ Never bend, squeeze, alter or cut water hoses.
- ▶ Only use the water hoses supplied or original replacement hoses.
- ▶ Never reuse used water hoses.

If the water pressure is too low or too high, the device function can be impaired.

- ▶ Ensure that the water pressure at the water supply system is at least 50 kPa (0.5 bar) and maximum 1000 kPa (10 bar).
- ▶ If the water pressure exceeds the specified maximum value, a pressure reducing valve must be installed between the drinking water connection and the hose set of the device.

### 2.2 Safe use

#### DANGER!

Escaping steam can damage built-in furniture.

- ▶ After the end of the program, allow the device to cool down slightly before opening the device door.

Special salt for dishwashers can damage the washing container through corrosion.

- ▶ To ensure that overflowed special salt is rinsed out of the rinsing container, fill the special salt into the special salt storage container immediately before the program starts.

Cleaner can damage the softening system.

- ▶ Only fill the storage container of the softening system with special salt for dishwashers.

Unsuitable cleaning agents can damage the device.

- ▶ Do not use a steam cleaner.
- ▶ To avoid scratching the device surface, do not use sponges with a rough surface or abrasive cleaning agents.

- ▶ To avoid corrosion, do not use sponge cloths on dishwashers with stainless steel fronts or rinse them thoroughly several times before first use.

---

## 3 environmental protection and

# Save

### 3.1 Dispose of packaging

The packaging materials are environmentally friendly and recyclable.

- ▶ Dispose of the individual components separately according to type.

### 3.2 Save energy

If you follow these instructions, your device will use less electricity and water.


Use the Eco 50° program.

- aThe Eco 50° program is energy-saving and environmentally friendly.  
→ *"Programs", page 21*

Change the sensor setting to standard.

- aThe consumption values <sup>adorned.</sup> are reduced  
→ *"Sensors", page 13*

Zeolite drying automatically helps save energy.

- a→ *"Zeolite drying",*   
*page 12*

### 3.3 Zeolite drying

The device is equipped with a zeolite container. Energy can be saved with zeolite drying.

Zeolite is a mineral that can store and release moisture and heat energy.

In the cleaning step, heat energy is used to heat the rinse water and dry the mineral.

During the drying phase, moisture from the washing compartment is stored in the mineral and heat energy is released. The heat energy is blown out into the washing room with dry air. This enables quick and improved drying.

Zeolite drying is therefore very energy-saving.

**Tip:**In order not to impair the functionality of the zeolite drying, do not place any dishes directly in front of the suction opening and blow-out opening of the zeolite container.

Do not place any temperature-sensitive dishes directly in front of the blow-out opening of the zeolite container.  
 → *"Device", page 16*

### 3.4 Sensors

The sensors adapt the program sequence and the program strength in the auto programs depending on the amount and type of dirt. The sensors have different sensitivity levels, which you can change in the basic settings.  
 → *""Change basic settings", page 42*

| Sensor level | Description  |
|--------------|--|
| SE:00        | Optimal setting for mixed loads and high levels of dirt amounts. energy saving efficient and water saving rend.  |
| SE:01        | Does the program strength even with small amounts of dirt conditions for effective elimination leftover food. The power consumption and water consumption needs will be adapted accordingly. |
| SE:02        | Does the program strength for difficult ones Terms of use gen, e.g. B. very dried food sereste. Recommended Setting when use of organic rice   |

### Sensor level description

niger or eco-cleaning ger with low  
 Amounts of active ingredients.  
 The energy consumption needs and water consumption is speaking fits.

## 4 Set up and Connect

To ensure proper operation, connect the device to electricity and water properly. Please note the required criteria and the assembly instructions.

### 4.1 Scope of delivery

After unpacking, check all parts for transport damage and that the delivery is complete. If you have any complaints, please contact the retailer where you purchased the device or our customer service.

**A notice:**The device was checked at the factory to ensure that it functions properly. This may leave water stains on the device. The water stains disappear after the first rinse.

The delivery consists of: ;  
 dishwasher  
 ;Instructions for use  
 ;assembly Instructions  
 ;Further information documents ;  
 Mounting material  
 ;Steam protection plate  
 ;Salt filling aid funnel ;  
 Power cord  
 ;quick start Guide

## 4.2 Set up and connect the device

You can install your under-counter device or integrated device in the kitchen unit between wooden walls and plastic walls. If you subsequently set up your device as a free-standing device, you must secure your device against tipping over, e.g. B. by screwing on the wall or by installing it under a continuous worktop that is firmly connected to the neighboring cabinets.

1. Follow the safety instructions.  
→ *page 4*
2. Follow the instructions for electrical connection.
3. Check the scope of delivery and the condition of the device.
4. Take the required installation dimensions from the assembly instructions.
5. Set up the device horizontally using the adjustable feet.  
Make sure you have a secure footing.
6. Install the wastewater connection.  
→ *Page 14*
7. Install the drinking water connection. → *Page 14*
8. Connect the device to power.

## 4.3 Waste water connection

Connect your device to a wastewater connection so that water contaminated by the rinse cycle can drain away.

### Install waste water connection

1. Please refer to the assembly instructions provided for the necessary steps.
2. Connect the waste water hose to the drain connection of the siphon using the included parts.

3. Make sure that the drain hose is not kinked, crushed or twisted.

4. Make sure that there is no cover in the drain that prevents the waste water from flowing out.

## 4.4 Drinking water connection

Connect your device to a drinking water connection.

### Install drinking water connection

#### Hints

- ¡ Make sure you do that  
Connect the device to a water inlet with a safety device to prevent drinking water contamination through backflow (according to DIN EN 1717). The connection valves/ water taps provided for this purpose are equipped with this safety device if the house is installed correctly.

- ¡ If you replace the device,  
you must use a new water inlet hose.

1. Please refer to the assembly instructions provided for the necessary steps.
2. Connect the device to the drinking water connection using the included parts.  
Observe the technical data.
3. Make sure that the drinking water connection is not kinked, crushed or twisted.

## 4.5 Electrical connection

Connect the device electrically

#### Hints

- ¡ Observe the safety instructions  
wise → *page 4*.

¡Please note that the water  
Safety system only works when  
there is power supply.

- 1.Insert the cold appliance plug of the  
mains connection cable into the  
device.
- 2.Plug the power plug of the device's  
power cord into a socket near the  
device.

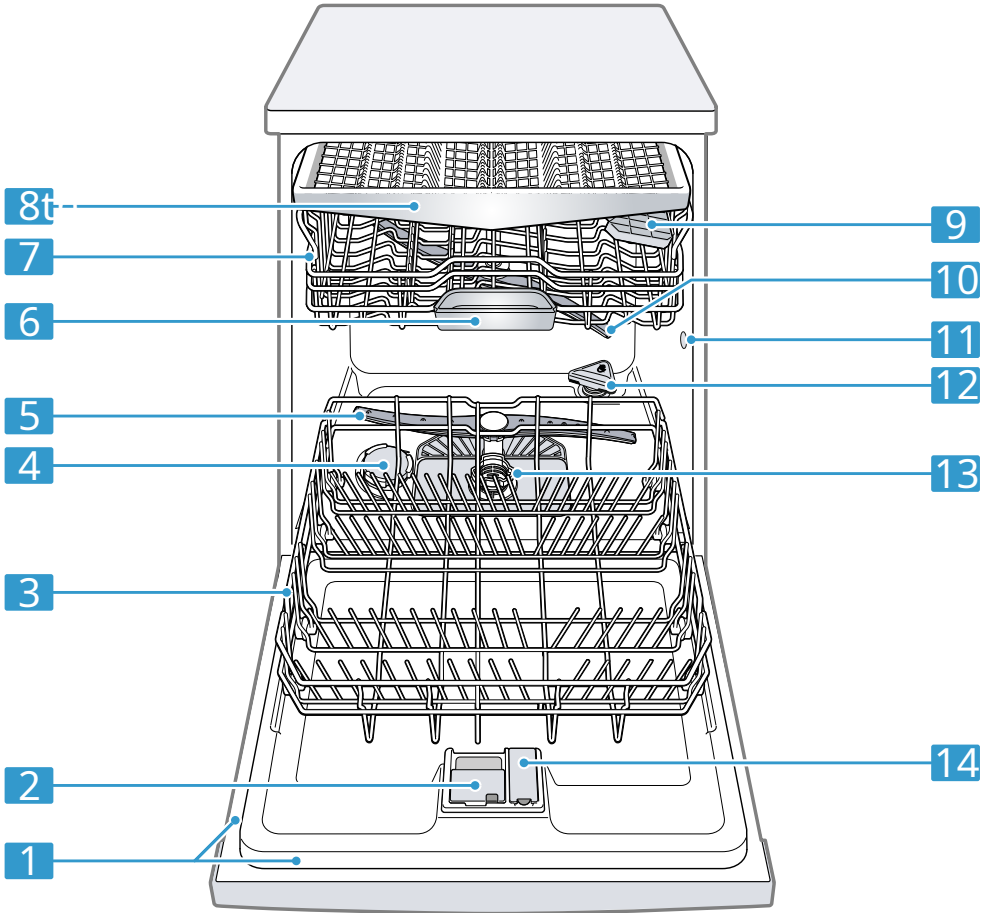
The connection data of the  
device is on the nameplate.

- 3.Check that the power plug is firmly  
seated.

5 Getting to know each other

5.1 Device

Here you will find an overview of the components of your device.



---

|          |            |  |
|----------|------------|--|
| <b>1</b> | type label | Type plate with E number and FD number<br>→ <i>Page 57.</i><br>You need the data for customer service →<br><i>Page 57.</i> |
|----------|------------|--|

---

1 Depending on the device equipment

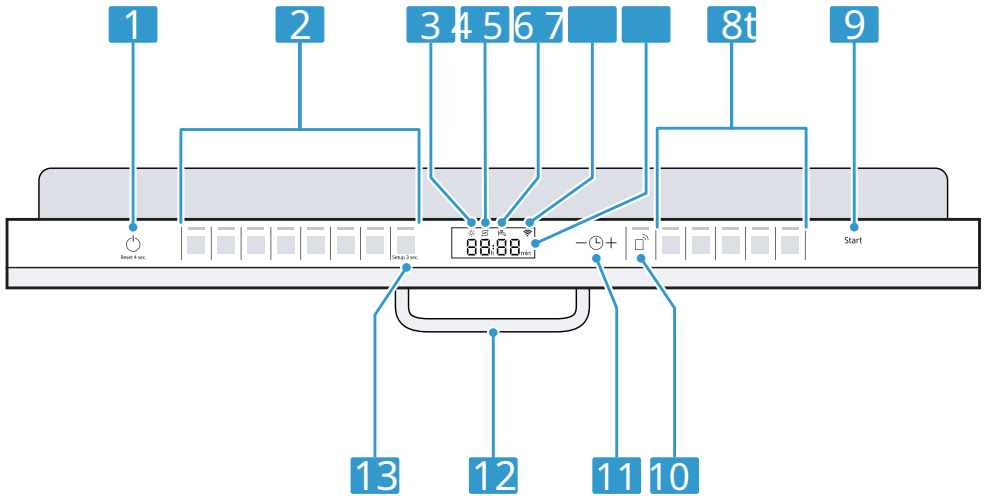
|           |   |  |
|-----------|---|--|
| <b>2</b>  | Cleaner chamber                           | Fill the cleaner chamber with cleaner.<br>→ <i>"Cleaner"</i> , page 32   |
| <b>3</b>  | Lower dish rack                           | Lower dish rack → Page 26  |
| <b>4</b>  | Storage container for special salt        | Fill the special salt storage container with special salt.<br>→ <i>"Softening system"</i> , page 28  |
| <b>5</b>  | Lower spray arm                           | The lower spray arm cleans the dishes in the lower basket.<br>If the dishes are not being cleaned optimally, clean the spray arms.<br>→ <i>"Cleaning spray arms"</i> , page 47 |
| <b>6</b>  | Tab drip tray                             | During the rinsing cycle, tabs automatically fall from the detergent chamber into the tab collecting tray, where they can dissolve optimally.                                  |
| <b>7</b>  | Upper dish rack                           | Upper dish rack → Page 25  |
| <b>8t</b> | Cutlery drawer                            | Cutlery drawer → Page 27   |
| <b>9</b>  | Cake stand <sup>1</sup>                   | Cake stand → Page 25   |
| <b>10</b> | Upper spray arm                           | The upper spray arm cleans the dishes in the upper basket.<br>If the dishes are not being cleaned optimally, clean the spray arms.<br>→ <i>"Cleaning spray arms"</i> , page 47 |
| <b>11</b> | Intake opening of the Zeolith container   | The suction opening is for zeolite drying<br>→ page 12needed.  |
| <b>12</b> | Blow-out opening of the zeolite container | The blow-out opening is used for zeolite drying → page 12needed.   |
| <b>13</b> | Sieve system                              | Sieve system → Page 46   |
| <b>14</b> | Rinse aid reservoir                       | Fill the rinse aid reservoir with rinse aid.<br><br>→ <i>"Rinse aid system"</i> , page 31  |


<sup>1</sup>Depending on the device equipment

## 5.2 Controls



You can use the control panel to set all of your device's functions and receive information about its operating status.

Some buttons allow you to perform various functions.



|   |   |   |
|---|---|---|
| 1 | ON/OFF button  and reset button Reset 4 sec. | Switch on device → <i>Page 37</i> Switch off device → <i>Page 38</i> Cancel program → <i>Page 38</i>  |
| 2 | Program buttons   | Programs → <i>Page 21</i>   |
| 3 | Rinse aid refill indicator  | Rinse aid system<br>→ <i>"Filling with rinse aid", page 31</i>  |
| 4 | Special salt refill indicator   | Softening system<br>→ <i>"Fill in special salt", page 29</i>  |
| 5 | Water inlet indicator   | Water inlet indicator   |
| 6 | WiFi display  | Home Connect → <i>Page 42</i>   |
| 7 | Display   | The display shows information about the remaining term or basic settings. You can use the display and the setting buttons to set the basic settings positions change.<br>→ <i>"Basic setting "change positions", Seite 42</i> |



<sup>1</sup>Depending on the device equipment




|           |  |   |
|-----------|--|---|
| <b>8t</b> | Program buttons and additional functions   | programs<br>→ "Programs", page 21<br>Additional functions<br>→ "Additional functions", page 24                        |
| <b>9</b>  | Start button Start   | Start program → Page 38   |
| <b>10</b> | Remote start  | → "Remote Start"  page 43            |
| <b>11</b> | Time delay and setting buttons   | Set time delay → Page 38 Change basic settings  |
| <b>12</b> | Door handle:   | Open the device door.   |
| <b>13</b> | button Setup 3 sec.  | If you Setup 3 sec. approx. 3 seconds<br>Press to open the basic settings.<br><br>→ ""Change basic settings", page 42 |

†Depending on the device equipment

### Symbols in the display†

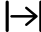

Depending on the device equipment, the display shows the following symbols. You can find the explanations for this.

| Icon   | Description  |
|--|--|
|    | If the symbol for machine maintenance lights up, carry out machine maintenance.<br>→ "Machine care", page 45             |
|  | If the rinse aid refill indicator lights up in the display, refill the rinse aid.<br>→ "Filling with rinse aid", page 31 |

| symbol  | Description   |
|---|---|
|    | If the special salt refill indicator lights up in the display, fill with special salt immediately before the program starts into the storage container for special salt.<br>→ "Fill in special salt", page 29 |
|    | If the device is connected to a wireless Wi-Fi Home network connected the symbol lights up in the display.<br>→ "Home Connect", page 42   |
|  | If you have activated the time delay, the symbol lights up in the display.<br>→ "Setting the time delay", page 38   |

†Depending on the device equipment

---

| symbol   | Description  |
|--|--|
|  | When you have started a program, the symbol lights up in the display.  |
|  | If there is a problem with the water supply or water<br>The symbol in the display lights up or flashes.<br><br>→ <i>"Troubleshooting",<br/>page 49</i> |

---



## 6 programs

Here you will find an overview of the adjustable programs. Depending on the device configuration, various programs are available, which you can find on the control panel of your device.







Depending on the program you choose, the duration may vary. The running time depends on the water temperature, the amount of dishes, the degree of soiling and the additional function selected → *Page 24* away. When off

If the rinse aid system is switched on or if there is a lack of rinse aid, the running time changes.

You can find the consumption values in the quick guide. The consumption values refer to normal conditions and a water hardness value of 13 - 16 °dH. Different influencing factors can lead to deviations, e.g. B. Water temperature or line pressure.

| program   | use   | Program Sequence   |
|---|---|--|
| <br>Intense 70° | Dishes:<br>;Pots, pans, insensitive<br>ches crockery and cutlery<br>Degree of soiling:<br>;strongly sticking, burned-in,<br>Dried, starchy and protein-<br>containing leftover food | Intensive:<br>;Pre-rinse<br>;Clean 70°C ;<br>Intermediate rinsing<br>;Rinse 50 °C ;dry                               |
| Auto<br>Auto 45-65°   | Dishes:<br>;mixed dishes and dishes<br>plug<br>Degree of pollution:<br>;slightly dried, household<br>usual leftovers  | Sensor-optimized:<br>;Becomes dependent on<br>of pollution<br>of the rinse water<br>optimized by sensors<br>mingled. |
| Eco<br>Eco 50°  | Dishes:<br>;mixed dishes and dishes<br>plug<br>Degree of pollution:<br>;slightly dried, household<br>usual leftovers  | Most economical pro<br>gram:<br>;Pre-rinse<br>;Clean 50°C ;<br>Intermediate rinsing<br>;Rinse 35 °C ;dry             |
| <br>Quiet 50  | Dishes:<br>;mixed dishes and dishes<br>plug<br>Degree of pollution:<br>;slightly dried, household<br>usual leftovers  | Noise-optimized:<br>;Pre-rinse<br>;Clean 50°C ;<br>Intermediate rinsing<br>;Rinse 35 °C ;dry                         |
| ;Factory setting  |   |  |

## deprograms

| program  | use   | Program Sequence   |
|--|---|--|
| <br>brilliantShine | Dishes:<br>;delicate dishes, handling<br>plug, temperature-sensitive<br>plastics and glasses<br>Degree of pollution:<br>;low-stick, fresh food<br><br><small>leftovers</small>                                      | Particularly gentle<br>and improved<br>Drying:<br>;Pre-rinse<br>;Clean 40°C ;<br>Intermediate rinsing<br>;Rinse 50 °C ;Dry to<br>shine |
| <br>Speed 60°      | Dishes:<br>;mixed dishes and dishes<br>plug<br>Degree of pollution:<br>;slightly dried, household<br>usual leftovers  | Time optimized:<br>;Clean 60°C ;<br>Intermediate rinsing<br>;Rinse 50 °C ;dry  |
| <br>Intelligent    | Dishes: <sup>1</sup><br>;Delicate dishes, handling<br>Clean plugs, temperature-<br>sensitive plastics, glasses and<br>stemware.<br>Degree of pollution: <sup>1</sup><br>;Low-stick, fresh food<br>remove leftovers. | Particularly<br>gentle: <sup>1</sup><br>;Pre-rinse<br>;Clean 40°C ;<br>Intermediate rinsing<br>;Rinse 45 °C ;dry                       |
| <br>Machine care   | Only use when the device has been<br>cleared out.   | Machine care<br>70°C   |
| <br>Favorite       | -<br>→ "Favorite",  <i>page 22</i>   | -  |
| <sup>1</sup> Factory setting   |   |  |

A notice:The comparatively longer running time in the Eco 50° program results from longer soaking and drying times. This enables optimal consumption values.

### 6.1 Information for test institutes

Test institutes receive the information for comparative tests, for example according to EN60436.

These are the conditions for carrying out the tests, but not the results or consumption values.

Inquiries by email to:  
dishwasher@test-appliances.com  
The product number (E-No.) and the production number (FD), which can be found on the type plate on the appliance door, are required.

### 6.2 Favorites

You can save a combination of program and additional function on the button.

Save the program via the Home Connect app or on the device.

The pre-rinse program is stored on this button at the factory. Pre-rinsing is suitable for all types of dishes. The dishes are cleaned by rinsing them in cold water.

Tip: You can use the Home Connect app to download additional programs and save them to the ☆ button.<sup>1</sup>

Favorite ☆ save on the device

1. Open the device door.
2. ⏻ press.
3. Press the appropriate program button.
4. Press the button for the appropriate additional function.
5. ☆ Press for 3 seconds.

a The selected program and the Additional function flash. a ☆ flashes.

a The program and the additional function are saved.

Tip: To reset the program to the factory pre-rinse program, use the Home Connect app<sup>1</sup> or reset your device to factory settings.

## 6.3 Intelligent 🧠

Optimize the program via the Home Connect app by evaluating the result. Depending on your satisfaction, the device changes the cleaning intensity, the drying intensity or the program duration. The program is suitable for all types of dishes and dirt thanks to adjustments in the app.



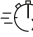
→ "Home Connect", page 42

---

<sup>1</sup> Depending on the device equipment

## 7 additional functions

Here you will find an overview of the additional functions that can be set. Depending on the device configuration, various additional functions are available, which you can find on the control panel of your device. Depending on the program, you can choose certain additional functions.

| symbol   | Additional function | USE  |
|--|---------------------|--|
|  | Intensive zone      | <p>¡With a mixed load of strong and Switch on lightly soiled dishes, e.g. For example, load heavily soiled pots and pans into the lower basket and normally soiled dishes into the upper basket.</p> <p>¡The spray pressure in the lower basket is increased and the maximum program temperature is maintained longer. This increases the running time and increases energy consumption.</p> |
|  | Dry to shine        | <p>¡To avoid stains and to... To improve drying, the amount of water is increased and the drying phase is extended.</p> <p>¡Energy consumption is increased. ¡ Use rinse aid.</p>  |
|  | VarioSpeedPlus      | <p>¡The running time depends on the washing program by 15% to 75%¡shortened. ¡The additional function can be activated before the program starts and activated at any time during the program run.</p> <p>¡Water consumption and energy consumption needs are increased.</p>   |

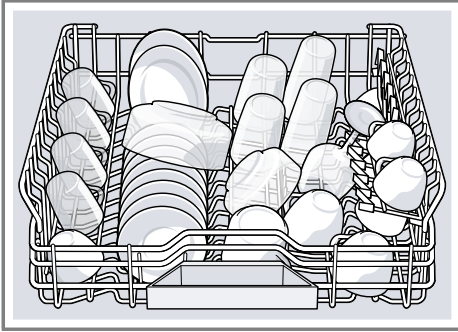
¡Depending on the device equipment

## 8 equipment

Here you will get an overview of the possible features of your device and how it can be used. The equipment depends on your device variant.

## 8.1 Upper dish rack

Place cups, glasses and small dishes in the top rack.

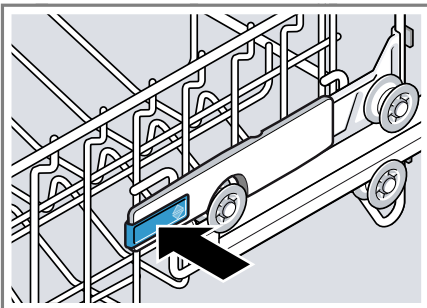


To create space for larger dishes, you can adjust the height of the upper dish rack.

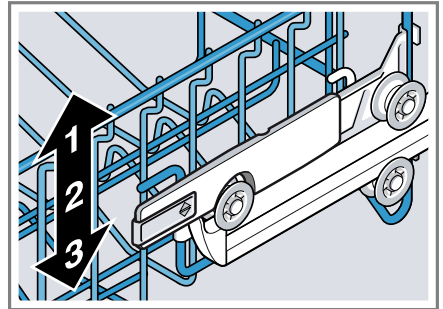
### Adjust the upper dish rack with side levers

To wash large items of dishes in the dish racks, adjust the shelf height of the upper rack.

1. Pull out the upper basket.
2. To prevent the dish rack from falling down suddenly, hold the dish rack on the side at the top edge.
3. Press the levers on the left and right on the outside of the dish rack inwards.



4. Lower or raise the dish rack evenly to the appropriate level.

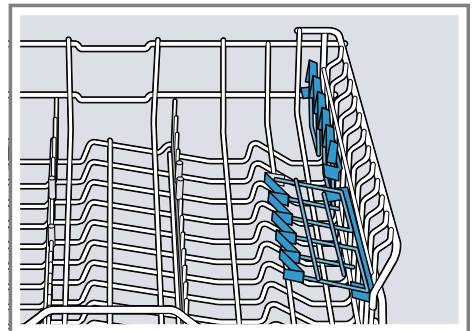


Make sure the dish rack is at the same height on both sides.

5. Release the levers. The dish rack clicks into place.
6. Insert the dish rack.

## 8.2 Cake stand

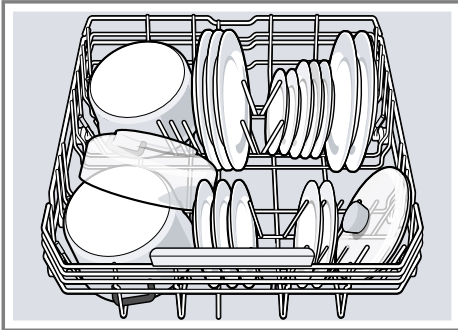
Use the cake stand and the space underneath to store small cups and glasses or larger pieces of cutlery, e.g. wooden spoon or serving cutlery.



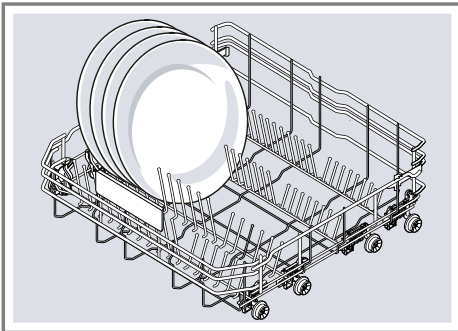
If you don't need the cake stand, you can fold it up.

### 8.3 Lower dish rack

Put pots and plates in the lower dish rack.

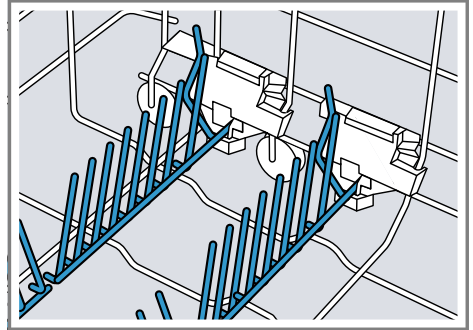


You can place large plates up to a diameter of 31 cm in the lower dish rack as shown.



### 8.4 Folding spines

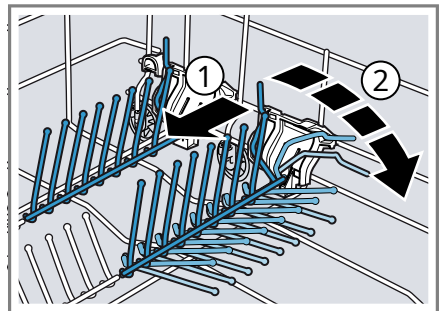
Use the folding spines to safely sort dishes, e.g. B. Plates.



To make it easier to organize pots, bowls and glasses, you can fold down the folding spines.<sup>1</sup>

Fold down the folding spines<sup>1</sup>  
If you don't need the folding spines, fold them down.

1. Push the lever forward and fold <sup>①</sup> down the folding spines <sup>②</sup>.



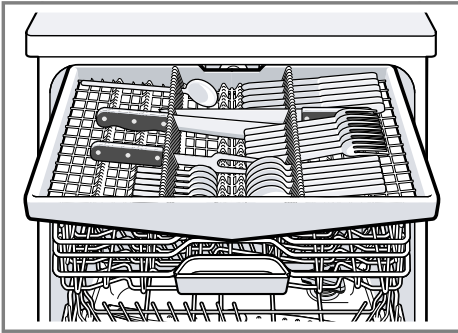
2. To use the folding spines again, fold them up.

aThe folding spines click audibly  
a.

<sup>1</sup>Depending on the device reimbursement

## 8.5 Cutlery drawer

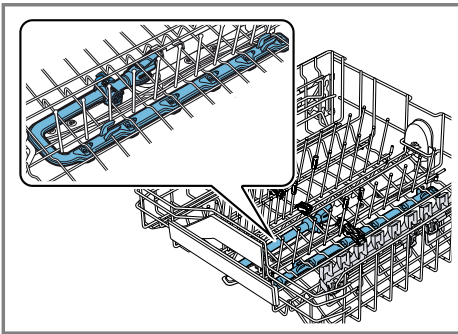
Put cutlery in the cutlery drawer.



Place cutlery with the pointed and sharp side facing down.

## 8.6 glassZone

Use the glassZone in the upper basket to clean all types of glasses gently and thoroughly.

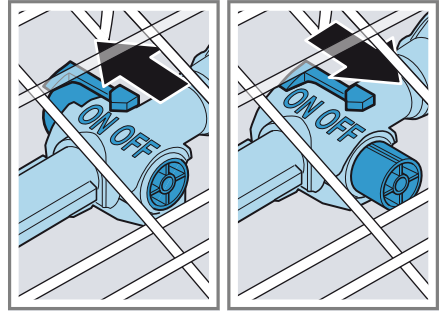


### Set glassZone

A notice: If you operate your device with the glassZone switched on, the consumption values will increase.

1. Pull out the upper basket.

2. Set the slider to ON or OFF.



3. Insert the upper dish rack.

### Clean glass zone

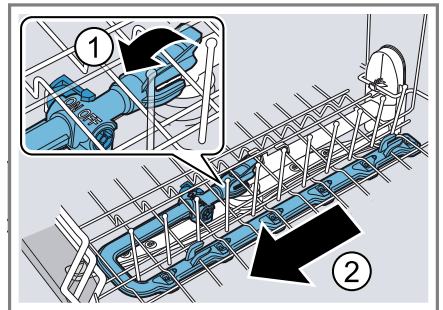
Limescale and impurities from the rinse water can clog the nozzles.

A notice: Always operate the device with the glassZone installed.

1. Pull out the upper basket.

2. Pull the tab on the glassZone up and pull it forward ①

②



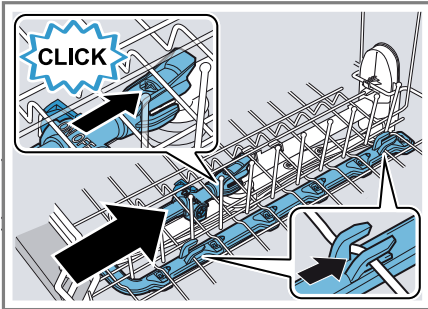
3. Set the slider to ON.

4. Clean under running water.

deuse

5. Hang the glassZone in the upper dish rack and lock it into place.

①



Make sure the hooks are in the correct position. aThe glassZone clicks into place audibly. ②

6. Insert the upper dish rack.

---

## 9 Before the first use

### 9.1 Carry out initial commissioning

You must make settings when you first use it or after resetting to factory settings.

**Tip:** Connect your device to a mobile device. You can easily adjust all settings using the Home Connect app.

### 10.1 Overview of the water hardness settings

Here you will find an overview of the adjustable water hardness values.

The water hardness level You can ask the local waterworks or determine with ter. a water hardener

**Requirement:** The device is set up and connected. → *Page 13*

1. Pour in special salt. → *Page 29*
2. Fill in rinse aid. → *Page 31*
3. Turn on a device. → *Page 37*
4. Set the softening system. → *Page 29*
5. Adjust the amount of rinse aid added. → *Page 31*
6. Fill in the cleaner → *Page 32.*
7. Start the program with the highest cleaning temperature without dishes.

We recommend operating the device without dishes before first use due to possible water stains and other residues.

**Tip:** These settings and other basic settings → *Page 39* you can change it again at any time.

---

## 10 softening system

Hard, calcareous water leaves limescale residue on the dishes and the washing container and can clog parts of the appliance. To get good washing results, you can soften water using the softening system and special salt. To avoid damage to the device, water with a hardness above 7 °dH must be softened.

| Water hardness level<br>°dH | Hardness range | mmol/l    | Setting value |
|-----------------------------|----------------|-----------|---------------|
| 0 - 6                       | soft           | 0 - 1.1   | H:00          |
| 7-8                         | soft           | 1.2 - 1.4 | H:01          |
| 9-10                        | medium         | 1.5 - 1.8 | H:02          |
| 11 - 12                     | medium         | 1.9 - 2.1 | H:03          |
| 13 - 16                     | medium         | 2.2 - 2.9 | H:04          |
| 17 - 21                     | hard           | 3.0 - 3.7 | H:05          |
| 22 - 30                     | hard           | 3.8 - 5.4 | H:06          |
| 31 - 50                     | hard           | 5.5 - 8.9 | H:07          |

A notice: Set your device to the determined water hardness level.

→ *"Setting the softening system", page 29*

If the water hardness level is 0 - 6 °dH, you can avoid using special salt for dishwashers and switch off the softening system.

→ *"Switch off the softening system", page 30*

## 10.2 Setting the softening system

Set the device to the water hardness level.

1. Determine the water hardness level and the appropriate setting value.

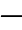

→ *"Overview of the water hardness settings", page 28*

2.  press.

3. To open the basic settings, Setup 3 sec. 3 seconds press.

aThe display shows H:xx. a

The display shows . **set**

4.  or  press repeatedly until the appropriate water hardness level is set.

The value H:04 is set at the factory.

5. To save the settings, Setup 3 sec. Press for 3 seconds.

## 10.3 Special salt

You can soften water with special salt.

### Pour in special salt

If the special salt refill indicator lights up, fill special salt into the special salt storage container immediately before starting the program. The consumption of special salt depends on the degree of water hardness. The higher the water hardness, the higher the consumption of special salt.

### DANGER!

Cleaner can damage the softening system.

► Only fill the storage container of the softening system with special salt for dishwashers.

Special salt for dishwashers can damage the washing container through corrosion.

► To ensure that overflowed special salt is rinsed out of the rinsing container, fill the special salt into the special salt storage container immediately before the program starts.

1. Unscrew and remove the lid from the special salt storage container.

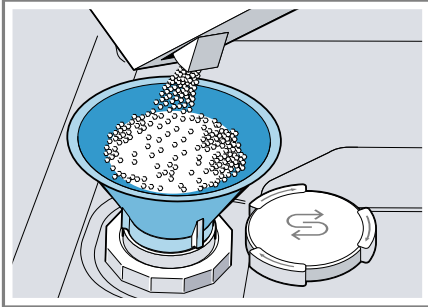
## deSoftening system

2. When using for the first time: Fill the storage container completely with water.

3. A notice: Only use special salt for dishwashers.

Do not use salt tablets. Do not use table salt.

Pour the special salt into the storage container.



Fill the storage container completely with special salt. The water in the storage container is displaced and drains away.

4. Place the lid on the storage container and screw it on.

## 10.4 Switch off the softening system

If the special salt refill indicator bothers you, e.g. B. if you use combined cleaners with salt substitutes, you can switch off the special salt refill indicator.

### Notice

To avoid damage to the device, only switch off the softening system in the following cases: jThe water hardness level is maximum

times 21 °dH and you use a combined cleaner salt substitutes. K combined rice niger with salt substitute substances can

According to the manufacturerera information mostly

Only use up to a water hardness of 21 °dH without adding special salt.

jThe water hardness level is 0 - 6 °dH. You can do without special salt.

1. ⏻ press.

2. To open the basic settings, Setup 3 sec. 3 seconds press.

aThe display shows H:xx. a

The display shows . **set**

3. — or press until the display shows H:00.

4. To save the settings, Setup 3 sec. Press for 3 seconds.

aThe softening system is equipped switches on and the salt refill indicator is deactivated.

## 10.5 Regenerate the softening system

In order to maintain the trouble-free function of the softening system, the device regenerates the softening system at regular intervals.

The softening system is regenerated in all programs before the end of the main rinse cycle. The running time and consumption values increase, e.g. B. Water and electricity.

### Overview of the consumption values when regenerating the Softening system

Here you will find an overview of the maximum additional running time and consumption values when regenerating the softening system.

---

|  |   |
|--|---|
| Regenerate the softening system after x rinsing cycles | 6 |
|--|---|

---

|  |      |
|--|------|
| Additional runtime in minutes                | 6    |
| Additional water consumption in liters       | 5    |
| Additional consumption of electricity in kWh | 0.05 |

The stated consumption values are laboratory measurements according to the currently valid standard and determined using the Eco 50° program and the factory-set water hardness value of 13 - 16 °dH.

## 11 Rinse aid system

### 11.1 Rinse aid

For optimal drying results, use rinse aid.

Only use rinse aid designed for household dishwashers.

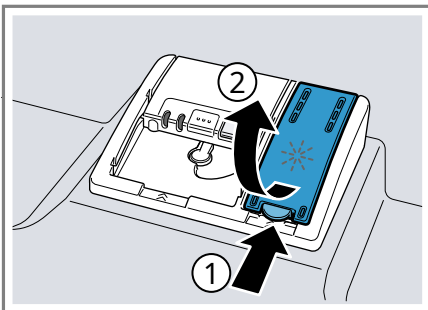
#### Fill in rinse aid

If the rinse aid refill indicator lights up, add rinse aid. Only use rinse aid designed for household dishwashers.

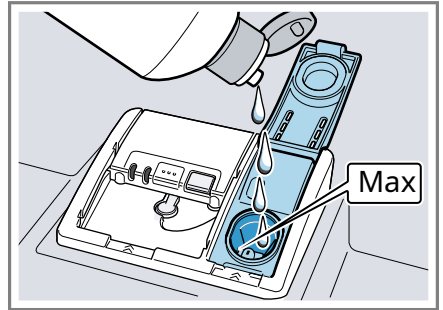
1. The tab on the lid of the rinse aid reservoir

press and lift.

②



2. Fill in the rinse aid up to the max mark.



3. If rinse aid has overflowed, remove it from the rinse container.

Overflowing rinse aid can lead to excessive foam formation during the rinse cycle.

4. Close the lid of the rinse aid reservoir.

a The lid clicks into place audibly.

### 11.2 Adjust the amount of rinse aid added

If streaks or water stains remain on the dishes, change the amount of rinse aid added.

1. press.

2. To open the basic settings, Setup 3 sec. 3 seconds press.

a The display shows H:xx. a

The display shows . **set**

3. Setup 3 sec. Press repeatedly until the display shows the factory-set value r:05.

4. — or press repeatedly until the appropriate amount of rinse aid has been added.

– A low setting adds less rinse aid to the wash cycle and reduces streaks on the dishes.

decleanser

- A higher level adds more rinse aid to the rinse cycle, reduces water stains and produces a better drying result.

5. To save the settings,  
Setup 3 sec. Press for 3 seconds.

### 11.3 Switch off the rinse aid system

If the rinse aid refill indicator bothers you, for example if you use combined detergents with a rinse aid component, you can switch off the rinse aid system.

Tip: The function of the rinse aid is limited with combined detergents. If you use rinse aid, you will usually achieve better results.

1.  press.

2. To open the basic settings,  
Setup 3 sec. 3 seconds  
press.

aThe display shows H:xx. a

The display shows . **set**

3. Setup 3 sec. Press repeatedly until the display shows the factory-set value r:05.

4. — or press until the display shows r:00.

5. To save the settings,  
Setup 3 sec. Press for 3 seconds.

aThe rinse aid system is switched off switches on and the rinse aid refill indicator is deactivated.

---

## 12 cleaners

### 12.1 Suitable cleaners

Only use cleaner that is suitable for dishwashers. Both solo cleaners and combined cleaners are suitable.

To achieve optimal rinsing and drying results, use solo cleaners in conjunction with the separate application of special salt → *Page 29* and rinse aid → *Page 31*.

Modern, powerful cleaners predominantly use a low-alkaline formula with enzymes. Enzymes break down starch and dissolve protein. To remove colored stains, oxygen-based bleaches are usually used, e.g. B. for tea or ketchup.

A notice: Follow the manufacturer's instructions for each cleaner.

Tip: Suitable cleaning products can be purchased online via our website or via customer service → *Page 57* be obtained.

#### Tabs

Tabs are suitable for all cleaning tasks and do not need to be dosed.

With shortened programs, tabs may not dissolve completely and cleaning residue may remain. This can impair the cleaning effect.

#### Powder cleaner

Powder cleaners are recommended for shortened programs. The dosage can be adjusted to the degree of contamination.

## Liquid cleaner

Liquid cleaners work faster and are recommended for shortened programs without pre-rinsing. It can happen that filled liquid cleaner comes out even though the cleaner chamber is closed. This is not a defect and is not critical if you note the following:

- ¡Select only one program oh-no pre-rinse.
- ¡Do not set a time delay for the program start.

The dosage can be adjusted to the degree of contamination.

## Solo Cleaner

Solo cleaners are products that do not contain any other components apart from the cleaner, e.g. B. powder cleaner or liquid cleaner.

With powder cleaner and liquid cleaner, the dosage can be individually adjusted to the degree of soiling of the dishes.

To achieve better rinsing and drying results and to avoid damage to the device, also use special salt

- *Page 29* and rinse aid
- *Page 31*.

## Combined cleaners

In addition to traditional solo cleaners, a number of products with additional functions are offered. In addition to the cleaner, these products also contain rinse aid and salt substitutes (3in1) and, depending on the combination (4in1, 5in1, ...) additional components, such as: B. Glass protection or stainless steel shine. According to the manufacturer, combined cleaners usually only work up to a water hardness of 21 °dH. Above a water hardness level of 21 °dH you must

Add special salt and rinse aid. For the best washing and drying results, we recommend using special salt and rinse aid for water hardness levels of 14 °dH and above. If you use combined cleaners, the washing program automatically adjusts to achieve the best possible washing and drying results.

## 12.2 Unsuitable cleaners

Do not use cleaners that may cause damage to the device or endanger health.

Hand dishwashing liquid

Hand dishwashing detergent can cause increased foam formation and damage to the device.

Cleaners containing chlorine

Chlorine residues on dishes can pose a health risk.

## 12.3 Notes on cleaners

Follow the instructions for cleaners in daily use.

- ¡Cleaning products with the label "Organic" or "eco" labels usually use smaller amounts of active ingredients (for environmental reasons) or completely avoid certain ingredients. The cleaning effect may be limited.

- ¡Set up the rinse aid system and the softening system to the solo cleaner or combined cleaner used.

- ¡Combined cleaners with salt  
According to the manufacturer, additives can only be used up to a certain level of water hardness, usually 21 °dH, without the addition of special salt. For best washing results and drying

decleanser

For results, we recommend using special salt for water hardness levels of 14 °dH and above.

¡To avoid sticking, Only handle cleaners with a water-soluble coating with dry hands and only fill them into a dry cleaner chamber. ¡Even if the rinse aid refill

indicator and the special salt refill indicator light up, washing programs run smoothly when using combined cleaners.

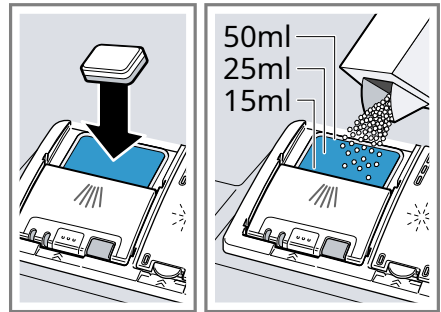
¡The function of the rinse aid is limited for combined cleaners. If you use rinse aid, you will usually achieve better results.

¡Use tabs with special drying performance.

## 12.4 Fill in cleaner

1.To open the cleaner chamber, press the locking latch.

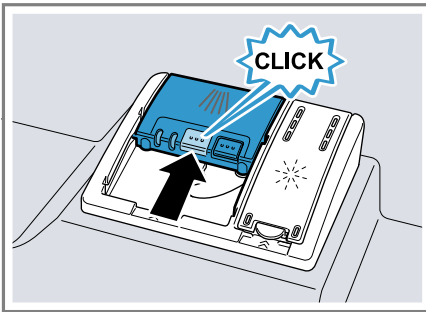
2.Pour cleaner into the dry cleaner chamber.



If you use tabs, one tablet is enough. Insert tabs horizontally. If you use powder cleaners or liquid cleaners, follow the manufacturer's dosage instructions and the dosage classification of the cleaner chamber.

For normal soiling, 20 ml – 25 ml of cleaner is sufficient. For lightly soiled dishes, a slightly smaller amount of detergent than specified is sufficient.

3. Close the cleaner chamber lid.



The lid clicks into place audibly. The cleaner chamber opens. Depending on the program, automatically at the optimal time during the program run. Powder cleaners or liquid cleaners are distributed in the washing container and are dissolved. Tabs fall into the tab tray and dissolve in a measured manner. Do not place anything in the tab tray to allow the tab to dissolve evenly.

**Tip:** If you use powder cleaner and select a program with pre-rinse, you can also add some cleaner to the inner door of the appliance.

## 13 dishes

Only wash dishes that are suitable for the dishwasher.

**A notice:** Glass decorations, aluminum parts and silver parts can fade or discolor when washed. Delicate types of glass can become cloudy after a few rinses.

## 13.1 Damage to glass and dishes

Only wash glasses and porcelain that are marked as dishwasher-safe by the manufacturer. Avoid damage to glass and dishes.

| Caused   | Recommendation  |
|--|---|
| <ul style="list-style-type: none"> <li>The following thing dishes are not dishwasher suitable:</li> <li>• cutlery items and tableware</li> <li>• wooden parts</li> <li>• decorative glasses, arts and crafts dishes and other delicate dishes</li> <li>• Do not heat constant</li> <li>• Plastic parts</li> <li>• Dishes out of copper and tin</li> <li>• With ashes, Wax, Grease and color</li> <li>• unclean Dishes</li> <li>• Very small tableware</li> </ul> | <p>Just rinse Dishes, that from manufacturer as a dishwasher suitable for is marked.</p>    |
| <p>Chemical additives composition of the cleaner causes damage the.</p>  | <p>use a cleaner, the one from the manufacturer better than tableware gently is marked.</p> |

| Caused  | Recommendation  |
|---|---|
| Strong caustic alkaline ash or strong acidic rice food, in particular from the trade area or industrial sector, in connection with aluminum are not dishwashing machine-suitable net. | If you are strong caustic alkaline or strongly acidic containing cleaning products means of supply turn, especially special the commercial rich or industrial driving area, cleaning don't mention any Aluminum parts in the dishwashing room of the device |
| The water temperature of the product gram is closed high.   | Choose one program with lower temperature temperatures. Take out Glass and Be-plug in promptly after the pro-end of gram the device.  |

### 13.2 Put away the dishes

Put the dishes away correctly to optimize the washing results and avoid damage to the dishes and the appliance.

#### Tips

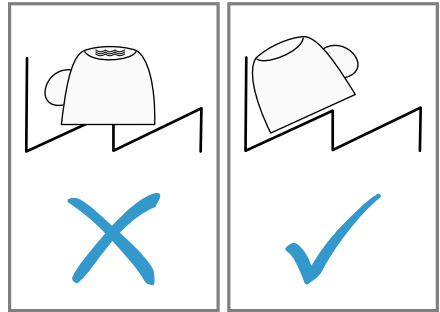
When you use the device, save energy and water compared to hand washing. You can find it on our website

Examples of how you can store your device efficiently.

To save energy and water load the device up to the specified number of dimensions. ck (standard loading with sherr and cutlery) .

→ "Tetechnical data en", page 58

For better washing results and To maintain drying results, place parts with bulges and depressions at an angle to allow water to drain away.



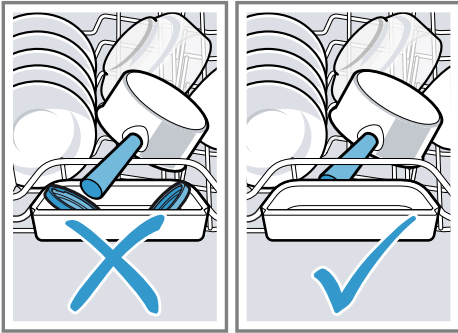
1. Remove any coarse food residue from the dishes.

To save resources, do not pre-wash the dishes under running water.

2. Put the dishes away and pay attention to the following:

- Put heavily soiled dishes in the lower compartments. dish rack, e.g. B. Pots. Due to the stronger spray jet, you get a better washing result.
- To avoid damage to dishes, place dishes on a secure, tip-proof stand.
- To avoid injuries, store cutlery with the pointed and sharp side facing down.
- Place containers with openings facing downwards so that water does not collect in the container.
- Do not block the spray arms so that they can rotate.

- Do not place any small parts in the tab collecting tray and do not block it with dishes so as not to block the lid of the detergent compartment.



### 13.3 Clear out dishes

#### WARNING

Risk of injury!

Hot dishes can cause burns to the skin. Hot dishes are sensitive to impact and can break and cause injuries.


- After the end of the program, let the dishes cool down a little and then remove them.

1. To avoid water droplets falling on the dishes, empty the dishes from bottom to top.

2. Check the washing container and accessories for dirt and clean if necessary.  
→ "Cleaning and care",  
page 44

## 14 basic service

### 14.1 Switch on the device

-  press.  
The Eco 50° program is preset.

The Eco 50° program is a particularly environmentally friendly program and is ideal for normally soiled dishes. It is the most efficient program in terms of the combination of energy consumption and water consumption for this type of tableware and proves conformity with the EU Ecodesign Regulation. If you do not operate the device for 10 minutes, the device switches off automatically.

### 14.2 Setting the program

To adapt the washing cycle to how dirty the dishes are, set a suitable program.

- Press the appropriate program button.

aThe program is set and the program button flashes. aThe remaining program duration appears on the display.

### 14.3 Setting additional functions

To complement the selected washing program, you can set additional functions.

A notice: The additional functions that can be activated depend on the program selected.

deservice

- ▶ Press the button for the appropriate additional function.  
→ "Additional functions", page 24

aThe additional function is set and the additional function button flashes.

## 14.4 Setting the time delay

You can delay the start of the program for up to 24 hours.

1.  $- \odot$  or  $+ \odot$  press.
- a"00h:01m" appears in the display.
2. With  $- \odot$   $+ \odot$  the desired Set the program start time.
  3. Start press.

aThe time delay is activated.

Tip: You can deactivate the time delay by  $- \odot$  or  $+ \odot$  so often Press until "00h:00m" appears on the display.

## 14.5 Start program

- ▶ Start press.
- aThe program is finished when the display shows "00h:00m".

Hints

iIf you during operation  
If you want to add more dishes, do not use the tab drip tray as a handle for the upper dish rack. You might come into contact with the partially dissolved tab.

iYou can view the current program  
Only change the program if you cancel the program.  
→ "Cancel program", page 38

iTo save energy, switch  
The device switches off 1 minute after the end of the program. If you open the device door immediately after the end of the program, the device switches off after 4 seconds.

## 14.6 Interrupt program

A notice: If you open the appliance door when the appliance is heated up, leave the appliance door ajar for a few minutes and then close it. This will prevent excess pressure from building up in the device and causing the device door to pop open.

1. Open the device door carefully.
  2.  $\odot$  press.
- aThe program is saved and the device switches off.
3. To continue the program, press  $\odot$ .
  4. Close the appliance door.

## 14.7 Cancel program

To end a program prematurely or to change a program that has been started, you must cancel it.

1. Open the device door.
  2. **Reset 4 sec.** approx. 4 seconds press.
  3. Close the appliance door.
- aThe program is aborted and is completed after approx. 1 minute.

## 14.8 Switch off the device

1. The instructions for safe use → *Page 11* observe.
2.  $\odot$  press.

Tip: If you press during the rinse cycle, the current program will be interrupted. When you turn on the device, the program continues automatically.

## 15 basic settings

You can adjust the basic settings of your device to suit your needs.

### 15.1 Overview of the basic settings

The basic settings depend on the features of your device.

| basic position     | Display text       | Selection     | Description  |
|--------------------|--------------------|---------------|--|
| Water hardness     | H:04 <sub>1</sub>  | H:00 - H:07   | Adjust the softening system to the water hardness.<br>→ <i>"Setting the softening system", page 29</i><br>The level H:00 switches off the softening system.  |
| Rinse aid addition | r:05 <sub>1</sub>  | r:00 - r:06   | Adjust the amount of rinse aid added.<br>Switch off the rinse aid system at level r:00.  |
| Sensor setting     | SE:00 <sub>1</sub> | SE:00 - SE:02 | Set the water sensor for dirt detection.<br><br>→ <i>"Sensors", page 13</i>  |
| Dry separately     | d:00 <sub>1</sub>  | d:00 - d:01   | During final rinsing, the temperature is increased and thus an improved drying result is achieved. The running time may increase slightly.<br>A notice:Not suitable for delicate dishes.<br>Switch extra drying on "d:01" or off "d:00". |

---

<sub>1</sub>Factory setting (may vary depending on device type)

---

deBasic settings

| basic position  | Display text       | Selection     | Description   |
|-----------------|--------------------|---------------|---|
| Hot water       | A:00 <sub>1</sub>  | A:00 - A:01   | <p>Set cold water connection or hot water connection. Set the device only for hot water, if the hot water is processed economically and a suitable installation is available, e.g. B. a solar system with a circulation line. The water temperature should be a minimum of 40°C and a maximum of 60°C.</p> <p>Turn on hot water "A:01" or switch off "A:00".</p>            |
| TimeLight       | S:01 <sub>1</sub>  | S:00 - S:01   | <p>Turn TimeLight on or off.</p> <p>While the program is running, status information about the time delay, the program or the remaining time is projected onto the floor below the device door. With the base panel pulled forward or when installed high with a flush furniture front, the display is not visible.</p> <p>The level "S:00" switches the TimeLight off.</p> |
| Starter program | SP:01 <sub>1</sub> | SP:00 - SP:01 | <p>Set predefined program when switching on the device.</p> <p>¡When hiring "SP:00" is the last program selected when the device is switched on. set.</p> <p>¡When hiring "SP:01" is the Eco 50° program preset when the device is switched on.</p>   |

<sub>1</sub>Factory setting (may vary depending on device type)

| basic position | Display text       | Selection     | Description  |
|----------------|--------------------|---------------|--|
| Signal volume  | SL:02 <sub>1</sub> | SL:00 - SL:03 | Control the signal volume. The level "SL:00" switches off the beep.  |
| Key volume     | bL:02 <sub>1</sub> | bL:00 - bL:03 | Adjust the key volume during operation. The level "bL:00" switches off the key tones.  |
| Wi-Fi          | Cn:00              | Cn:00 - Cn:01 | Turn wireless network connection on or off.<br><br>The "Cn:00" level turns off the wireless network connection.<br>This basic setting is only available after you have connected the device to the Connected to the Home Connect app.<br>→ "Home Connect", page 42   |
| Remote start   | rc:01              | rc:00 - rc:02 | → "Remote Start" page 43 activate or deactivate.<br><br>The following settings are possible:<br><ul style="list-style-type: none"> <li>• With the setting "rc:00" the function is permanently deactivated.</li> <li>• With the setting "rc:01" The function can be selected using the button.<br/>→ "Activate Remote Start", page 43</li> <li>• With the setting "rc:02" the function is permanently activated.</li> </ul> This basic setting is only available after you have connected the device to the Connected to the Home Connect app.<br>→ "Home Connect", page 42 |

<sub>1</sub>Factory setting (may vary depending on device type)




| basic position  | Display text | Selection                              | Description  |
|-----------------|--------------|--|--|
| Factory setting | re:          | Start with +<br>Y:ES<br>Confirm with + | Reset changed settings to factory defaults. The settings must be made for initial commissioning. |

---

<sup>1</sup>Factory setting (may vary depending on device type)

## 15.2 Change basic settings

Tip: Connect your device to a mobile device. You can easily adjust all settings using the Home Connect app.

1. Open the device door.
2.  press.
3. To open the basic settings, Setup 3 sec. 3 seconds press.
  - a The display shows H:xx. a
4. The display shows . **set**
  - a Setup 3 sec. Press repeatedly until the display shows the desired setting.
5.  or  press repeatedly until the display shows the appropriate value. You can change several settings.
6. To save the settings, Setup 3 sec. Press for 3 seconds.
7. Close the appliance door.

## 16 Home Connect

This device is network compatible. Connect your device to a mobile device to operate functions via the Home Connect app. The Home Connect services are not available in every country. The availability of the Home Connect function depends on the availability of the Home Connect services in your country. You can find information about this at: [www.home-connect.com](http://www.home-connect.com).

To be able to use Home Connect, first set up the connection to the WLAN home network (Wi-Fi<sup>1</sup>) and to the Home Connect app.

The Home Connect app guides you through the entire registration process. Follow the instructions in the Home Connect app to make the settings.

### Tips

<sup>1</sup>Please note the instructions provided documents from Home Connect. <sup>2</sup>Also note the information in the Home Connect app.

A notice: Please note the safety instructions in these operating instructions and ensure that they are adhered to even if

---

<sup>1</sup>Wi-Fi is a registered trademark of the Wi-Fi Alliance.

when you operate the device via the Home Connect app.  
→ "Safety", page 4

## 16.1 Home Connect quick start

Connect your device to a mobile device quickly and easily.

### Set up the Home Connect app

1. Install the Home Connect app on the mobile device.



1

2. Start the Home Connect app and set up access for Home Connect.

The Home Connect app guides you through the entire registration process.

### Set up Home Connect

#### requirements

- ¡The Home Connect app is on set up on the mobile device.
- ¡The device has one at the installation location Reception to the WLAN home network (Wi-Fi).

1. Open the Home Connect app and scan the following QR code.



2. Follow the instructions in the Home Connect app.

## 16.2 Remote Start


You can start the device with your mobile device using the Home Connect app.

Tip: If you go to the basic settings → Page 41 If you set this function to "rc:02", the function is permanently activated and you can start your device at any time with a mobile device.

### Enable remote start

If you have set "rc:01" in the basic settings for this function, activate the function on your device.

#### requirements

- ¡The device is connected to your WiFi Home network connected.
- ¡The device is connected to the Home Connect app connected.
- ¡In the basic settings → Page 41 This function is set to "rc:01".
- ¡A program is selected.
- ▶  press.


---

¡Apple App Store and the Apple App Store logo are trademarks of Apple Inc. Google Play and the Google Play logo are trademarks of Google LLC.

## deCleaning and care

When you open the device door, the function is automatically deactivated.

abutton  shines.

Tip:To deactivate the function, press.  


### 16.3 Data Protection

Please note the information on data protection.

When your device is connected to a home network connected to the Internet for the first time, your device transmits the following categories of data to the

Home Connect Server

(Initial registration):

¡Unique device identifier (best based on device keys and the MAC address of the installed Wi-Fi communication module). ¡Wi-Fi communication security certificate communication module (for information technology security of the connection).

¡The current software version and Hardware version of your home appliance. ¡Status of any previous previous reset to factory settings.

This initial registration prepares you to use the Home Connect functionalities and is only required at the time you want to use Home Connect functionalities for the first time.

A notice:Please note that the Home Connect functionalities can only be used in conjunction with the Home Connect app. Information on data protection can be found in the Home Connect app can be accessed.

---

## 17 Cleaning and care

To ensure that your device remains functional for a long time, clean and maintain it carefully.

### 17.1 Clean the washing container

 **WARNING**

Risk of damage to health! The use of cleaners containing chlorine can cause damage to your health.

► Never use cleaners containing chlorine.

- 1.Remove any coarse dirt in the interior with a damp cloth.
- 2.Fill the cleaner into the cleaner chamber.
- 3.Select a program with the highest temperature.
- 4.Start the program without dishes. → *Page 38*

### 17.2 Cleaning products

Only use suitable cleaning agents for cleaning the device.  
→ *"Safe Use", page 11*

### 17.3 Tips for device care

Follow the device care tips to keep your device functioning properly.

---

| measure  | Advantage                                 |
|--|---|
| The door seal gen, the things dishwasher front and the operating aperture regularly ßig with one damp cloth and dishwashing liquid wipe off. | The device parts stay clean and hygienic. |

---

| measure  | Advantage                             |
|--|---------------------------------------|
| The device door longer standing based on time let. | Unpleasant Odor formation is avoided. |

## 17.4 Machine care

Deposits can cause problems with your device, e.g. B. due to food residues and lime. To avoid malfunctions and reduce odors, clean the device at regular intervals.

Machine care, in conjunction with machine care products and machine cleaners, is the appropriate program for caring for your device.

Tip: You can obtain our tested and approved machine care and machine cleaner for dishwashers online at <https://www.siemens-home.bshgroup.com/store> or via customer service.

Machine care is a program that removes various deposits in one rinse cycle. Cleaning takes place in two phases:

| phase | distance from              | cleanser   | placement   |
|-------|----------------------------|--|---|
| 1     | fat and lime               | Liquid machine care products or powder deformed machine called descaler. | device interior, e.g. B. Bottle placed in the cutlery basket hangs or powder in the interior. |
| 2     | food residues and deposits | Machine cleaner  | Cleaner chamber   |

For optimal cleaning performance, the program doses the cleaners separately in the corresponding cleaning phase. This requires the correct placement of the cleaners.

If the machine care indicator on the control panel lights up or the display advises you to do so, carry out the machine care without dishes. After you have carried out the machine maintenance, the display goes out. If your device does not have a reminder function, we recommend carrying out machine maintenance every 2 months.

### Carry out machine maintenance

#### Hints

#### ¡Run the machine program

Carry out cleaning without the dishes being put away.

#### ¡Use only specifically for

Machine care products and machine cleaners suitable for dishwashers.

#### ¡Make sure that there are no

Aluminum parts, e.g. B. grease filters from extractor hoods or aluminum pots, are located in the washing compartment of the device.

#### ¡If you care for the machine

If you have not carried out 3 rinse cycles, the machine care display will automatically go out.

## deCleaning and care

¡In order to achieve optimal cleaning performance  
To maintain safety, pay attention to the  
correct placement of the cleaners.

¡Observe the safety instructions  
on the packaging of machine care  
products and machine cleaners.

¡Turn on the function  
→ "glassZone", page 27to.

1.Remove any coarse dirt in the  
interior with a damp cloth.

2.Clean the sieves.

3.Place the machine care product  
inside the device.

Only use machine care products  
that are specifically designed for  
dishwashers.

4.Pour the machine cleaner into the  
cleaner chamber until it is  
completely full.

Do not add machine cleaner to the  
interior of the device.

5.  press.

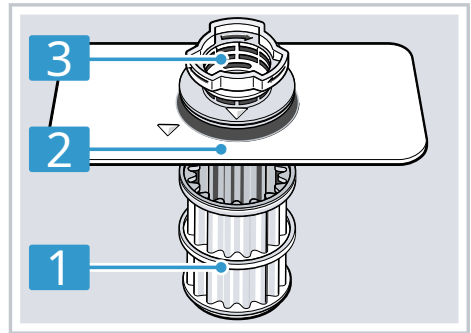
6. Start press.

aMachine maintenance is carried out  
leads.

aWhen the program is finished,  
the machine care display goes out.

## 17.5 Sieve system

The sieve system filters coarse  
impurities from the flushing circuit.



- |   |              |
|---|--------------|
| 1 | Micro sieve  |
| 2 | fine sieve   |
| 3 | coarse sieve |

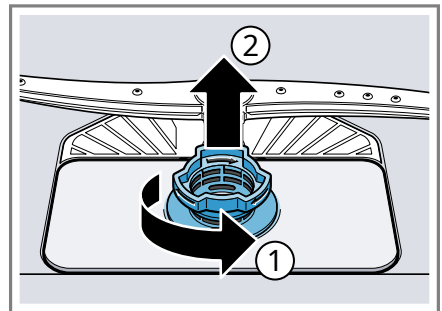
### Clean sieves

Impurities from the rinse water can  
clog the sieves.

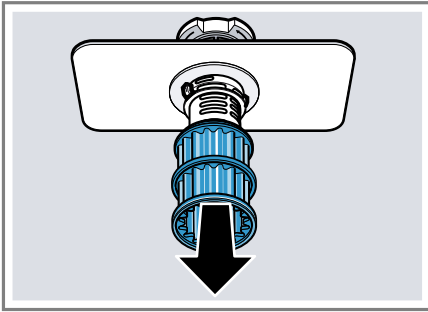
1.After each rinse, check the sieves  
for residue.

2.Turn the coarse sieve  
counterclockwise and remove the  
sieve system. ②

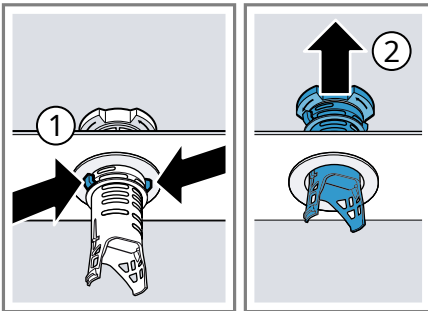
- Make sure that no foreign objects  
fall into the pump pot.



3. Pull the micro sieve downwards.



4. Press the locking lugs together and  
① remove the coarse sieve upwards. ②



5. Clean the sieve elements under running water.

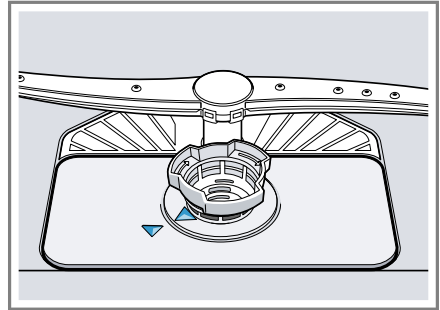
Carefully clean the dirt edge between the coarse sieve and fine sieve.

6. Assemble the sieve system.

Please note that the locking lugs on the coarse sieve are engaged.

7. Insert the sieve system into the device and turn the coarse sieve clockwise.

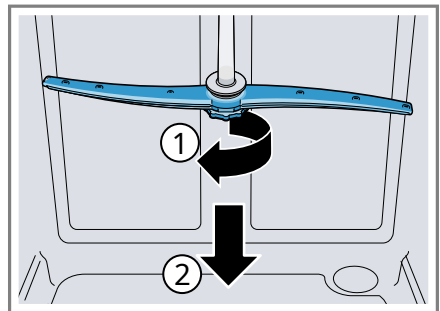
- Note that the arrow marks are opposite each other.



## 17.6 Clean spray arms

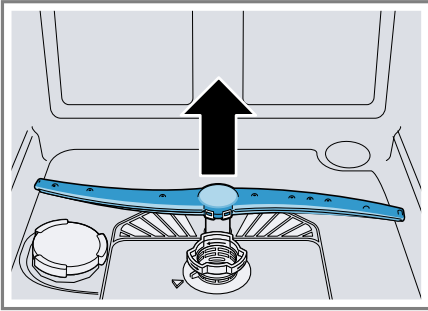
Limescale and impurities from the rinse water can block the nozzles and bearings of the spray arms. Clean the spray arms regularly.

1. Unscrew the upper spray arm and pull it downwards. ②



deCleaning and care

2. Pull the lower spray arm upwards.



3. Check the outlet nozzles of the spray arms for blockages under running water and remove foreign bodies if necessary.

4. Insert the lower spray arm. The spray arm audibly clicks into place.

5. Insert the upper spray arm and screw it tight.

## 18 Troubleshoot problems

You can fix minor problems with your device yourself. Use the troubleshooting information before contacting customer service. This way you avoid unnecessary costs.

Tip: Further information and explanations for troubleshooting can be found online by scanning the QR code in the table of contents and on our website [siemens-home.bsh-group.com](http://siemens-home.bsh-group.com).

### WARNING

Danger of electric shock!

Improper repairs are dangerous.

- ▶ Only trained specialist personnel may carry out repairs on the device.
- ▶ Only original spare parts may be used to repair the device.
- ▶ If the mains connection cable of this device is damaged, it must be replaced with a special connection cable, which is available from the manufacturer or its customer service.

| Disturbance   | Cause and troubleshooting  |
|---|--|
| E:30-00 lights up<br>Change.  | Water protection system is activated.<br>1. Close the faucet.<br>2. Call customer service → <i>Page 57</i> .   |
| E:31-00 lights up<br>Change.  | Water protection system is activated.<br>1. Close the faucet.<br>2. Call customer service → <i>Page 57</i> .   |
| E:32-00 lights up<br>Change or display<br>for water supply<br>shines. | Inlet hose is kinked.<br>▶ Lay the inlet hose without kinks.<br>Faucet is closed.<br>▶ Open the faucet.<br>Faucet is jammed or calcified.<br>▶ Open the faucet.<br>The flow rate must be at least 10 l/min when the water inlet is open. |
|   | Screens in the water connection of the inlet or Aqua-Stop hose are clogged.<br>1. Turn off the device.<br>2. Unplug the power plug.<br>3. Turn off the tap.<br>4. Unscrew the water connection.  |

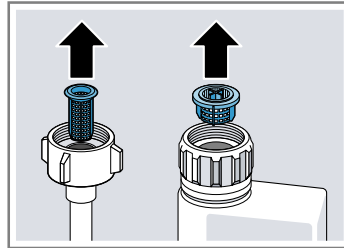
---

| Disturbance | Cause and troubleshooting |
|-------------|---------------------------|
|-------------|---------------------------|

---

E:32-00 lights up  
Change or display  
for water supply  
shines.

5. Take the strainer out of the inlet hose



6. Clean the sieve.
7. Place the strainer in the inlet hose.
- 8th. Screw on the water connection.
9. Check the water connection for leaks.
10. Connect the power supply.
11. Turn on the device.

---

E:34-00 lights up  
Change.

Water constantly flows into the device.

1. Close the faucet.
2. Call customer service → *Page 57*.

---

E:61-02 lights up  
Change.

No device error. Wastewater pump is blocked or the wastewater pump cover is loose.

1. Clean the wastewater pump.  
→ *"Cleaning the wastewater pump", page 55*
2. Snap the waste water pump cover into place correctly.  
→ *"Cleaning the wastewater pump", page 55*



Disturbance

Cause and troubleshooting

E:61-03 lights up  
Change. Water will  
not pumped out.

No device error. The siphon connection is still closed  
or the waste water hose is kinked or blocked.

1. Check the connection on the siphon and open it if  
necessary.
2. Lay the drain hose without kinks.
3. Remove residue.



No device error. Wastewater pump is blocked or the  
wastewater pump cover is loose.

1. Reini Gen Sie die Devi asse rpmp e.  
→ "Sewage pumping e rson", page 55
2. R asten Sie d evertu ng de r Abwasser pumpe  
richtige in.  
→ "Abwasserp un p d rree ", Page 55



E:2 40 leufear in  
Change l.

Shoe are dirty et or heve fastifices.

- ▶ re iniGen You desieves.  
→ "Siebe resome page 46

| Disturbance                    | Cause and troubleshooting  |
|--------------------------------|--|
| All LEDs light up or flashing. | <p>Electronics have detected an error.</p> <ol style="list-style-type: none"> <li>1. Press the main switch button for about 4 seconds.</li> </ol> <p>The device will reset and restart.</p> <ol style="list-style-type: none"> <li>2. If the problem occurs again: <ul style="list-style-type: none"> <li>- Turn off the device.</li> <li>- Pull out the power plug or switch off the fuse in the fuse box.</li> <li>- Wait at least 2 minutes.</li> <li>- Turn on the fuse in the fuse box or plug in the power plug.</li> <li>- Turn on the device.</li> </ul> </li> <li>3. If the problem occurs again: <ul style="list-style-type: none"> <li>- Contact customer service.<br/>→ "Customer Service", page 57</li> </ul> </li> </ol> |
| Leftover food on dishes        | <p>Dishes are stored too tightly or the basket is overflowing.</p> <ol style="list-style-type: none"> <li>1. roomsen you the Gesc hirr_ withsufficient end free space ein.<br/>Die Spray s ra müssen the Geshir rsurface erreichen.</li> <li>2. vermeidenSi e A nlagit telle n.</li> </ol>   |
| Leftover food on dishes        | <p>Sprüharm erhuGn dit and nteren SpruHarms is just ckier_ t.</p> <p>► roomsShe theres Ges chirr s Oe in, that s the thing scirrus does not hinder arm rotation.</p>   |
| Leftover food on dishes        | <p>Sprüharm nozzles are verstopft.</p> <p>► Clean n Sie the spray trees → page 47.</p>   |
| Leftover food on dishes        | <p>Sieves are verschmutzt.</p> <p>► Clean it up e Sieves.<br/>→ "Siebereiigen", Let it be 46</p>   |

Disturbance

Cause and troubleshooting

Leftover food on dishes  
dishes.

Sieves are inserted incorrectly and/or not locked.

1. Insert the sieves correctly.  
→ "Sieve system", page 46
2. Lock the sieves into place.

Washing program selected that is too weak.

- ▶ Choose a stronger washing program.  
→ "Programs", page 21
- ▶ Adjust the sensitivity of the sensors.  
→ "Sensors", page 13

Dishware is e.g. strong Gegg nicht. Tue eSensori k  
decided on a weak program mabla uf. Hard-  
nackiGe vhenjuries can occur tmaybe iron n not  
far away wearthn.

- ▶ Entfernen you nug broSpe iser itt e ands rinse  
thereS businessj rr nI t vor.
- ▶ Passen Si di e Sensitivity lichKsince the sensor system.  
→ "Sen sors ", Spage13

High bowl GmäThese would be m Corner area reich not  
are chend rinsed out. according to

- ▶ Räumen You high, narrow Gä oft n It too slanted  
Und not cht im corner reich ein.

Oberhe dishes ok to real andsli ks gl ne ist not on the  
before onöht tell

- ▶ Den upper story hirrbasket link s and rReally s on the  
Gleichhey öy a stellen .  
→ "ObererG eschirko rb", Se ite 25

Removable sc hliere  
areilocated auf shine  
seeds, grasses with a -  
metal appearance  
un dCutlery.

Klarspüle trainabemis tight to Hokheyngestell

- ▶ Stellen you de Klarspuleranlage on a nödrier  
Stufe.  
→ "Klaspü drzu bät enge one ell n", peite31

Keggs puler isteinf fills.

- ▶ To fillS eik larfee er a.  
→ "Klarsp ülhe einf llen", p edg 31

ReiniGuesed hiscprogrm r abschnitt rinse  
in advance. Dec ethe cleaner Ghe chamber w urde through  
Geschmistake eb Ke ö und ffnete nicht completely.

| Disturbance   | Cause and troubleshooting  |
|---|--|
| Removable streaks are located on glasses, glasses with a metallic appearance and cutlery. | <p>1.Place dishes in the upper dish rack so that the tab drip tray is not blocked by dishes.</p> <p style="padding-left: 20px;">→ <i>"Putting away the dishes", page 36</i></p> <p style="padding-left: 20px;">The dishes are blocking the cleaner lid.</p> <p>2.Do not place dishes or air fresheners in the tab drip tray.</p> <hr/> <p>Dishes have been pre-cleaned too much. The sensors determine a weak program flow. Stubborn dirt sometimes cannot be removed.</p> <ul style="list-style-type: none"> <li>▶ Only remove large food residues and do not pre-wash the dishes.</li> <li>▶ Adjust the sensitivity of the sensors.<br/>→ <i>"Sensors", page 13</i></li> </ul> |
| Traces of rust on surfaces plug.  | <p>Cutlery is not sufficiently rust-resistant. Knife blades are often more severely affected.</p> <ul style="list-style-type: none"> <li>▶ Use rust-resistant dishes.</li> </ul> <hr/> <p>Cutlery also rusts if rusting parts are washed with it.</p> <ul style="list-style-type: none"> <li>▶ Do not wash rusty parts.</li> </ul> <hr/> <p>Salt content in the rinse water is too high.</p> <ol style="list-style-type: none"> <li>1.Remove any spilled special salt from the rinsing container.</li> <li>2.Tighten the cap of the special salt container tightly.</li> </ol>   |
| There are cleaning residues in the detergent chamber or in the tab collecting tray.       | <p>Spray arms were blocked by crockery and the detergent was not rinsed out.</p> <ul style="list-style-type: none"> <li>▶ Make sure the spray arms are not blocked and can rotate freely.</li> </ul> <hr/> <p>The detergent chamber was damp when the detergent was filled.</p> <ul style="list-style-type: none"> <li>▶ Only pour cleaner into a dry cleaner chamber.</li> </ul>  |
| Refill indicator for Special salt lights up.  | <p>Special salt is missing.</p> <ul style="list-style-type: none"> <li>▶ Fill with special salt → <i>Page 29a.</i></li> </ul> <hr/> <p>Sensor does not recognize special salt tablets.</p> <ul style="list-style-type: none"> <li>▶ Do not use special salt tablets.</li> </ul>  |

## 18.1 Clean the waste water pump

Coarse food residue or foreign objects can block the wastewater pump. As soon as the flushing water no longer drains properly, you have to clean the wastewater pump.

### **⚠** WARNING

Risk of injury!

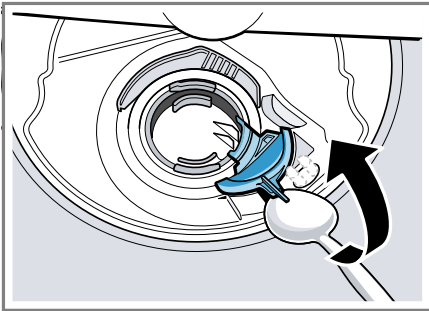
Sharp and pointed objects such as broken glass can block the wastewater pump and cause injuries.

► Carefully remove foreign bodies.

1. Disconnect the device from the power supply.
2. Remove the upper and lower dish racks.
3. Remove the sieve system.
4. Scoop out existing water.

If necessary, use a sponge.

5. Lever out the pump cover using a spoon and grab it by the bar.



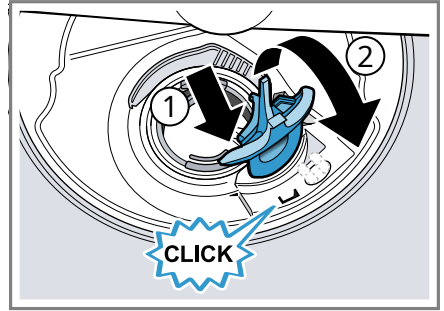
6. Lift the pump cover diagonally inwards and remove it.

aNow you can there s impeller with reach by hand .

7. Leftover food and Fremd body in area of the wing remove ads.

Transport, storage and disposal

- 8th. Insert the pump cover and press down. ②



- aThe pump cover clicks into place cash.

9. Install the sieve system.
10. Insert the lower and upper dish racks.

---

## 19 transport, Storage and disposal

### 19.1 Dismantle the device

1. Disconnect the device from the power supply.
2. Turn off the tap.
3. Disconnect the waste water connection.
4. Disconnect the drinking water connection.
5. If available, loosen the fastening screws to the furniture parts.
6. If present, dismantle the base board.
7. Carefully pull out the device and tighten the hose.

deTransport, storage and disposal

## 19.2 Make the device frost-proof

If the device is in a room at risk of frost, e.g. B. in a holiday home, empty the device completely.

- ▶ Empty the device.  
→ *"Transporting the device", page 56*

## 19.3 Transporting the device

To avoid damage to the device, empty the device before transport.

A notice: To ensure that no residual water gets into the machine control and causes damage to the device, only transport the device upright.

1. Remove dishes from the appliance.
2. Secure loose parts.
3. Switch on the device. → *Page 37*
4. Select the program with the highest temperature.  
→ *"Programs", page 21*
5. Start the program. → *Page 38*
6. To empty the device, cancel the program after approx. 4 minutes.  
  
→ *"Cancel program", page 38*
7. Switch off the device. → *Page 38*
8. Close the tap.
9. To empty the remaining water from the device, turn off the inlet  
Loosen the hose and let it drain out.

## 19.4 Dispose of old device

Valuable raw materials can be reused through environmentally friendly disposal.

### WARNING

Risk of damage to health! Children can become trapped in the device and endanger their lives.

- ▶ For old devices, pull the power plug of the power connection cable, then cut the power connection cable and destroy the lock on the device door to such an extent that the device door no longer closes.

1. Pull out the mains plug of the mains connection cable.
2. Cut the mains connection cable.

3. Dispose of the device in an environmentally friendly manner.

You can obtain information about current disposal routes from your specialist dealer or your local or city administration.



This device complies with European standards Directive 2012/19/EU about old electrical and electronic equipment (waste electrical and electronic equipment – WEEE).

The directive provides the framework for an EU-wide take-back and Recycling of old devices.

---

## 20 Customer Service

Functionally relevant original spare parts in accordance with the relevant Ecodesign Regulation are available from our customer service for a period of at least 10 years from the date your device is placed on the market within the European Economic Area.

A notice: The use of customer service is free of charge within the scope of the manufacturer's warranty conditions.

For detailed information about the warranty period and the warranty conditions in your country, please contact our customer service, your dealer or our website. When you contact customer service, you will need the product number (E-No.), the production number (FD) and the counting number (Z-No.) of your device.

Customer service contact details can be found in the enclosed customer service directory or on our website.

### 20.1 Product number (E-No.), production number (FD) and counting number (Z-No.)

The product number (E-No.), the production number (FD) and the counting number (Z-No.) can be found on the nameplate of the device.

You can find the nameplate on the inside of the device door.

To quickly find your device information and customer service phone number, you can write down the information.

## 20.2 AQUA-STOP guarantee

In addition to warranty claims against the seller from the purchase contract and in addition to our manufacturer's guarantee, we provide replacement under the following conditions.

¡If due to an error on our part

If water damage is caused by the Aqua-Stop system, we will

compensate private users for

damages. To ensure water safety,

the device must be connected to the power supply. ¡The liability

guarantee applies to the

Lifespan of the device. ¡

Requirement of the guarantee

The guarantee is that the device

with Aqua-Stop is set up and

connected professionally in

accordance with our instructions; it

also includes the professionally

installed Aqua-Stop extension

(original accessory). Our guarantee

does not cover defective supply

lines or fittings up to the Aqua-Stop

connection on the tap.

¡Need devices with Aqua-Stop

As a general rule, you should not supervise them during operation or

secure them afterwards by closing

the tap. Only in the event of a

longer absence from your home,

e.g. B. if you are on vacation lasting

several weeks, the tap must be

closed.

## 21 Technical data

|                   |  |
|-------------------|--|
| Weight            | Max.: 60kg   |
| Tension           | 220 - 240V, 50Hz or 60Hz                               |
| Connection value  | 2000 - 2400 W  |
| validation        | 10 - 16 A  |
| Water pressure    | ;at least 50 kPa (0.5 bar) ;<br>max. 1000 kPa (10 bar) |
| Inflow quantity   | at least 10 l/min                                      |
| Water temperature | Cold water.<br>Hot water max.: 60 °C                   |
| capacity          | 14 place settings                                      |

Further information about your model can be found online at <https://eprel.ec.europa.eu/1>. This web address links to the official EU product database EPREL. Please then follow the instructions for the model search. The model identifier results from the characters before the slash of the product number (E-No.) on the nameplate. Alternatively, you can also find the model identifier in the first line of the EU energy label.

### 21.1 Information about free and open source software

This product contains software components that are licensed by the copyright holders as free or open source software. The corresponding license information is stored on the home appliance. Access to the corresponding license information is also possible via the Home Connect app.

lich: "Profile -> Legal information -> License information".<sup>2</sup>You can download the license information on the brand product website. (Please search for your device model and other documents on the product website.) Alternatively, you can send the relevant information to [ossrequest@bshg.com](mailto:ossrequest@bshg.com) or BSH Hausgeräte GmbH, Carl-Wery-Str. 34, D-81739 Munich.

The source code will be made available upon request. Please send your request to [ossrequest@bshg.com](mailto:ossrequest@bshg.com) or BSH Hausgeräte GmbH, Carl-Wery-Str. 34, D-81739 Munich. Subject: "OSSREQUEST" You will be charged for the cost of processing your request. This offer is valid for three years from the date of purchase or for at least the period during which we provide support and replacement parts for the relevant device.

<sup>1</sup> Only applies to countries in the European Economic Area

<sup>2</sup> Depending on device equipment

22 declarations of conformity  
tion

BSH Hausgeräte GmbH hereby declares that the device with Home Connect functionality is in accordance with the basic

requirements and the other relevant provisions of Directive 2014/53/EU.

You can find a detailed RED declaration of conformity online at [siemens-home.bsh-group.com](http://siemens-home.bsh-group.com) on the product page of your device among the additional documents.



2.4GHz band (2400-2483.5MHz):  
max. 100mW  
5GHz band (5150-5350MHz +  
5470-5725MHz): max. 150mW

|  |    |    |     |    |    |         |    |    |    |
|--|----|----|-----|----|----|---------|----|----|----|
|  | BE | BG | CZ  | DK | EN | EE      | IE | EL | IT |
|  | FR | MR | I.T | CY | LI | LV      | LT | LU | HU |
|  | MT | NL | AT  | PL | PT | RO      | SI | SK | FI |
|  | SE | NO | Ch  | TR | IS | UK (NI) |    |    |    |

5 GHz WLAN (Wi-Fi): For indoor use only.

|    |     |     |     |    |    |    |    |
|----|-----|-----|-----|----|----|----|----|
| AL | B.A | M.D | M.E | MK | RS | UK | UA |
|----|-----|-----|-----|----|----|----|----|

5 GHz WLAN (Wi-Fi): For indoor use only.

ENManufactured by BSH Hausgeräte GmbH under a trademark license from Siemens AG

**BSH Hausgeräte GmbH**

Carl-Wery-Strasse 34

81739 Munich, GERMANY

[siemens-home.bsh-group.com](http://siemens-home.bsh-group.com)

**\*9001851539\***

**9001851539** (030524) 650 A5

de